

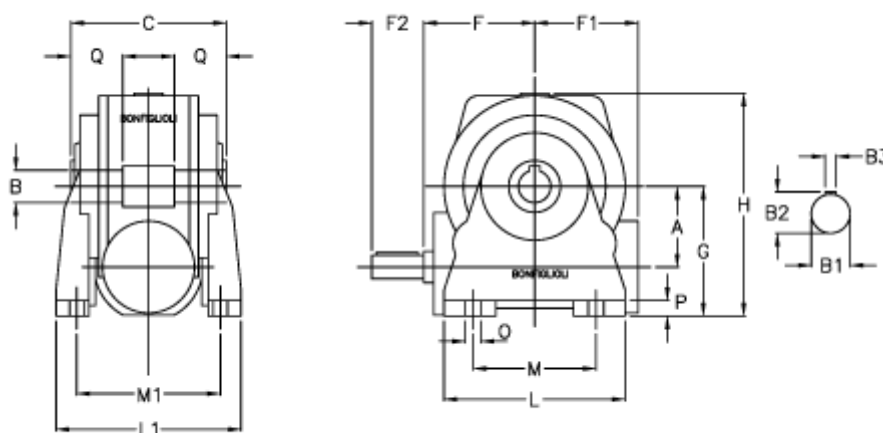
Data Sheet



Article number: 3901250015100

Description: Worm gear with solid input shaft
VF 250N-15-HS

Measures



a	= 250.0	F1 = 277	O = 33.0
B	= 110	F2 = 110	P = 30
B1	= 55	g = 380	Q = 85.0
B2	= 59.0	H = 645.0	
B3	= 16	L = 520	
C	= 320	L1 = 380	
Description = VF 250N-xx-HS		m = 400	
F	= 276.0	M1 = 310.0	